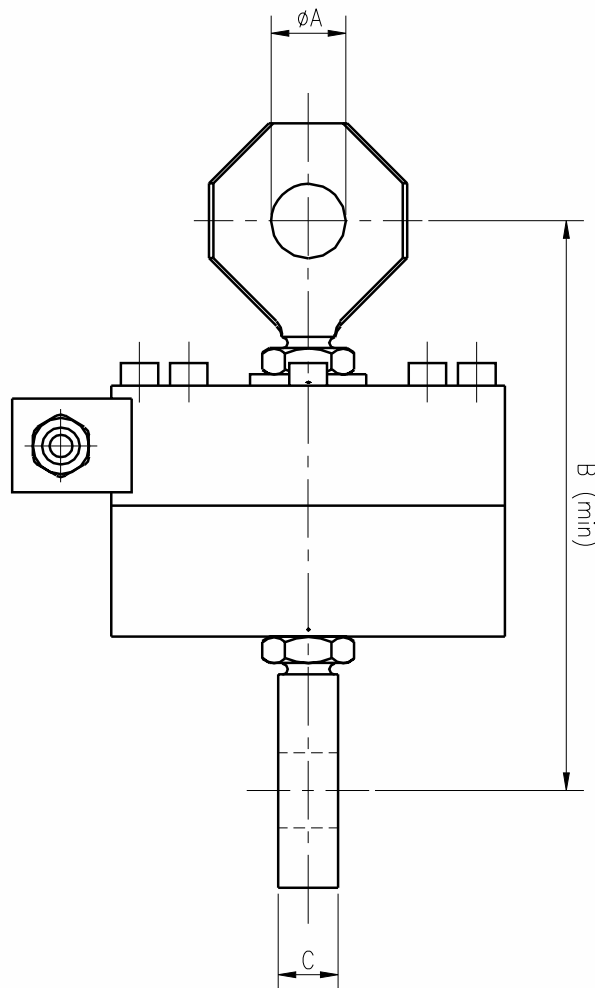


# ULP ACCESSORY 201



## ULP Solid Tensile Link



## DIMENSIONS

CAPACITY	1T/2T	5T	10T/20T	50T
A	20	25	40	60
B	158	178	232	370
C	16	20	40	60

All dimensions in mm • Technical Modifications Reserved

Manufactured by:  
TRANSDUCER DEVELOPMENTS COMPANY  
Pretoria, RSA  
Tel: +27 12 327-7700  
Fax: +27 12 327-6652

Supplied by:

