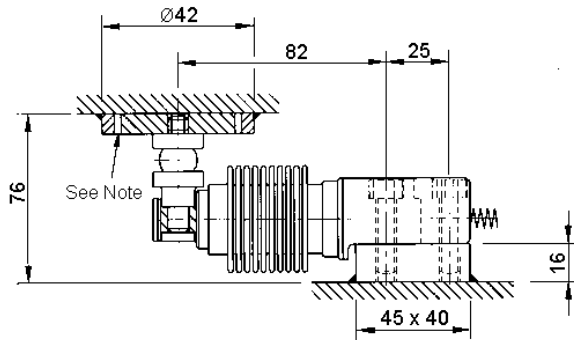


HBS Accessories

TWO CUPS & BALL WITH TOP PLATE

DIMENSIONS



NOTE:
Squeeze silicon rubber into groove
after assembly of weighing system.

Available capacities: 20K, 50K, 75K, 100K, 150K, 200K

Technical Modifications Reserved
All dimensions in mm.