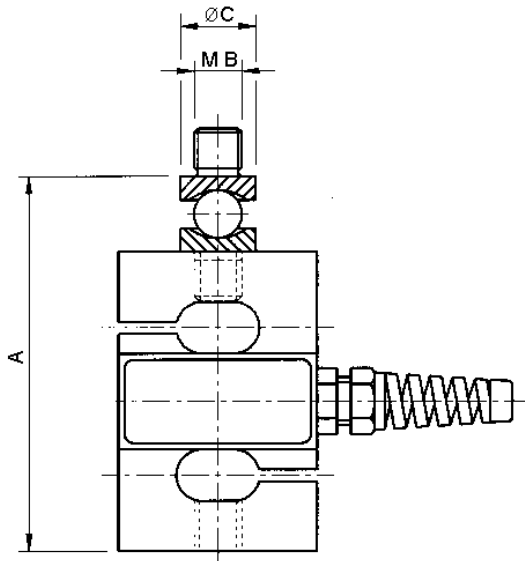


# SUB Accessories

## TWO CUPS & BALL

		DIMENSIONS
CAPACITY	50/100K	150/750K
A	84	94
B	M8	M12
C	19 diam.	19 diam.



Technical Modifications Reserved  
All dimensions in mm.