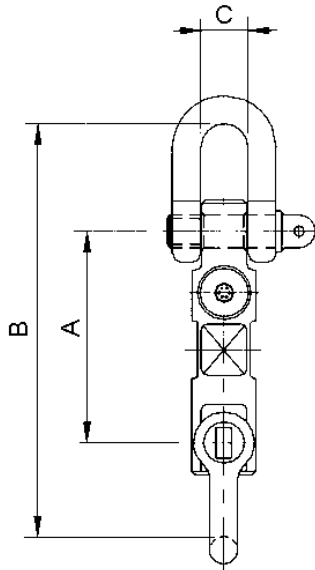


# TLS Accessories

## ALLOY PIN SHACKLES

		DIMENSIONS			
CAPACITY	5T	10T	20T	50T	
A	165	215	275	375	
B	333	450	618	979	
C	37	52	73	105	



Technical Modifications Reserved  
All dimensions in mm.