

TDC/I/0550

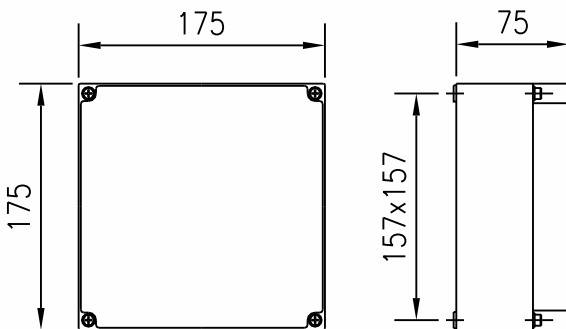


The TDC550 is the complete master-slave microprocessor based indicator. Features include - 4.5 digit 20mm LED display, 4 setpoints, 0-10V & 4-20mA retransmission, serial printer output, and RS485 all housed in an IP67 Polycarbonate enclosure.

SPECIFICATIONS

Power Supply AC	110 - 220 VAC
Power Supply DC	12 - 27 VDC
Power Consumption	12 VA max
Input - Analog	0 - 3 mV/V
Display	4.5 Digit - 20mm LED
Accuracy	0.02%
Retransmission	0 - 10V and 4 - 20mA
Digital Output 1	RS 232 - Printer
Digital Output 2	RS 485 - Continuous
User Interface	Zero, Tare, Hold, Print
Enclosure	IP67 Polycarbonate
Setpoints	4 x 5A
Excitation	10VDC (Up to 6 loadcells)

All dimensions in mm • Technical Modifications Reserved



Manufactured by:
TRANSUCER DEVELOPMENTS COMPANY
Pretoria, RSA
Tel: +27 12 327-7700
Fax: +27 12 327-6652

Supplied by:

