



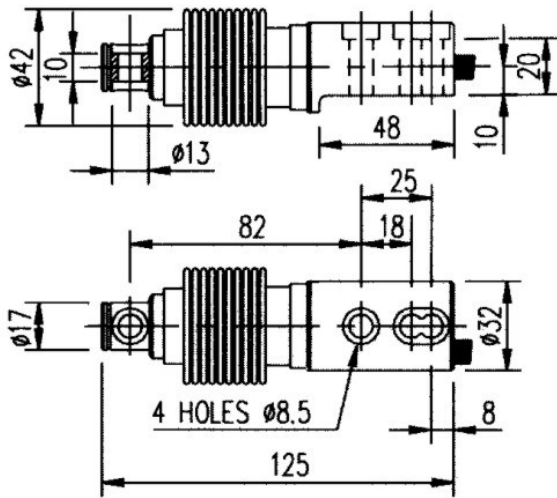
HBS

STAINLESS STEEL

SPECIFICATIONS

		HBS-G	HBS-S	HBS-B
Rated Output	mV/V	2	2	2
Temperature Effect on Output / °C	%RO	0,001	0,002	0,004
Temperature Effect on Zero Signal / °C	%RO	0,001	0,002	0,004
Combined Error: Linearity & Hysteresis	%RO	0,03	0,05	0,10
Creep after 20 min. at 23 °C	%RO	0,03	0,04	0,06
Input Resistance ±1%	ohm	350	350	350
Recommended Excitation AC/DC	V	5-15	5-15	5-15

Available capacities: 20kg, 50kg, 75kg, 100kg, 150kg, 200kg



DIMENSIONS

Technical Modifications Reserved
All dimensions in mm.